



SELV IP66



Features:

- Constant voltage/ PWM Output (NFC regulation)
- DALI & Push dimming function (0-100%)
- AC input: 100-277VAC
- Built-in active PFC function
- Efficiency up to 91%
- Protections: Short circuit/ Over load/ Over temperature
- Cooling by free air convection
- IP66 design for indoor and outdoor installation.
- Suitable for intelligent LED lighting

Models

ELED-200-12DP2

ELED-200-24DP2

Output Specifications

| | ELED-200-12DP2 | ELED-200-24DP2 |
|-------------------|------------------------------|----------------------------|
| Output Voltage | 12V (12-13.5V adjust by NFC) | 24V (24-26V adjust by NFC) |
| Voltage Tolerance | | ± 0.2% |
| Output Current | 16.67A | 8.34A |
| Rated Power | | 200W |
| Load Regulation | | ± 2% |

Input Specifications

| | |
|-----------------------------|-------------------------------------------------------------|
| Input Voltage | 100-277VAC |
| Frequency Range | 47-63Hz |
| Inrush Current | 59A (Twidth=210µs 230VAC) |
| Full Load Efficiency (Typ.) | 87% |
| AC Current (Max.) | 2.3 |
| Leakage Current | <0.50mA |
| Power Factor | PF≥0.98@120VAC PF≥0.96@230VAC PF≥0.95@277VAC (Full loading) |

Protection

| | |
|------------------|------------------------------------------------------------------------------------------|
| Short Circuit | Constant current mode, recovers automatically after fault condition is removed |
| Over Loading | ≤120% constant current limiting, recovers automatically after fault condition is removed |
| Over Temperature | 100°C± 10°C |
| Protection Class | I |

Environment

| | |
|---------------------|-------------------------------------|
| Working Temperature | -40~+70°C (Refer to derating curve) |
| Working Humidity | 20-95% RH, non-condensing |

Safety & EMC

| | |
|-------------------------------|------------------------------------------------------------------------|
| Storage Temperature, Humidity | -40~+80°C, 10-95% RH |
| Temperature Coefficient | ±0.03%/°C (0-50°C) |
| Vibration | 10-500Hz, 5G 10min./ 1 cycle, period for 60min.each along X, Y, Z axes |

Safety & EMC

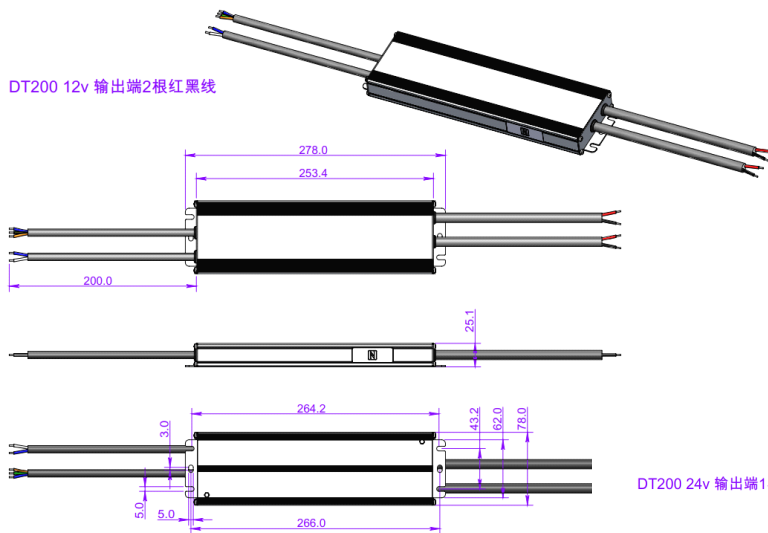
| | |
|----------------------|-------------------------------------------------------------|
| Safety standards | EN61347-1, EN61347-2-13, EN62493, IP66 |
| Withstand voltage | I/P-O/P:3.75KVAC I/P-FG:1.88KVAC O/P-FG:0.5KVAC |
| Isolation resistance | I/P-O/P I/P-FG O/P-FG: 100MΩ/500VDC/25°C/70%RH |
| EMC Emission | Compliance to EN55015, EN61000-3-2, EN61000-3-3 (≥60% load) |
| EMC Immunity | Compliance to EN61000-4-2,3,4,5,6,11, EN61547 |

Other Specifications

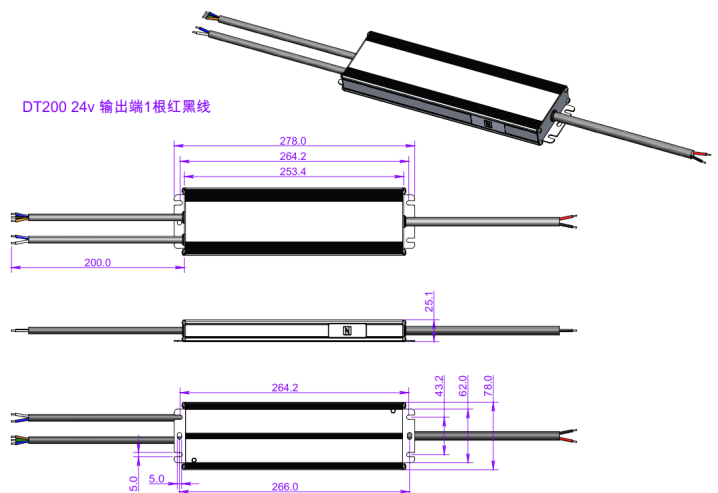
| | |
|---------|-------------------------------------------|
| Weight | 1.05 Kg |
| Size | 278x 78 x 25.1 mm |
| Packing | 390 x 325x 185 mm (20PCS/CTN, 22 Kg/CTN)) |

Mechanical Specifications

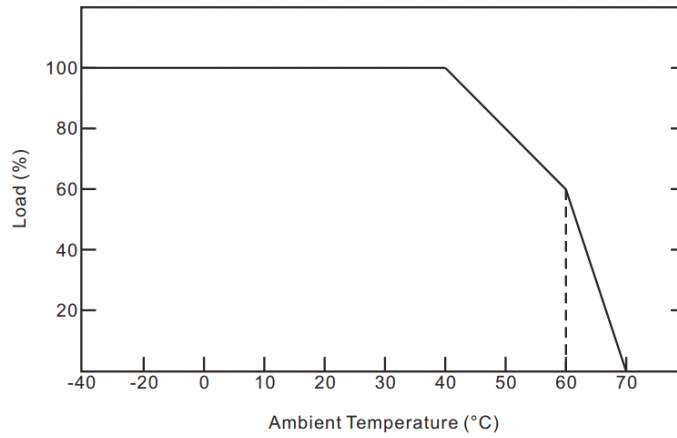
Model: ELED-200-12DP2



Model: ELED-200-24DP2

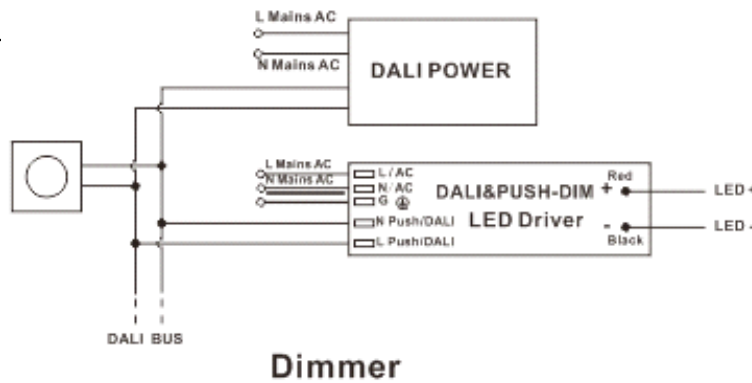


Derating Curve

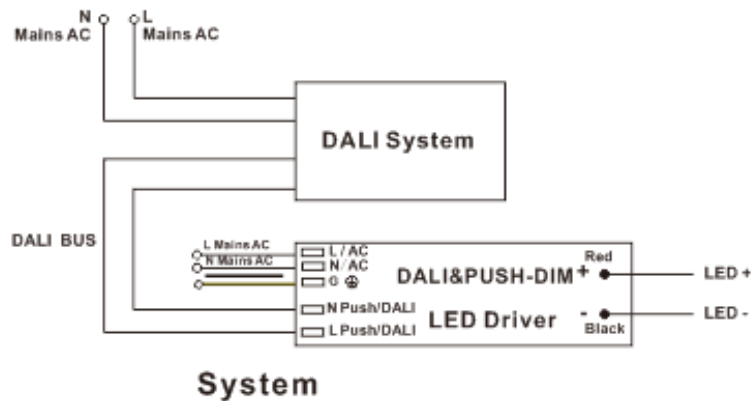


Dimming Operation

DALI Dimming Wiring Diagram1

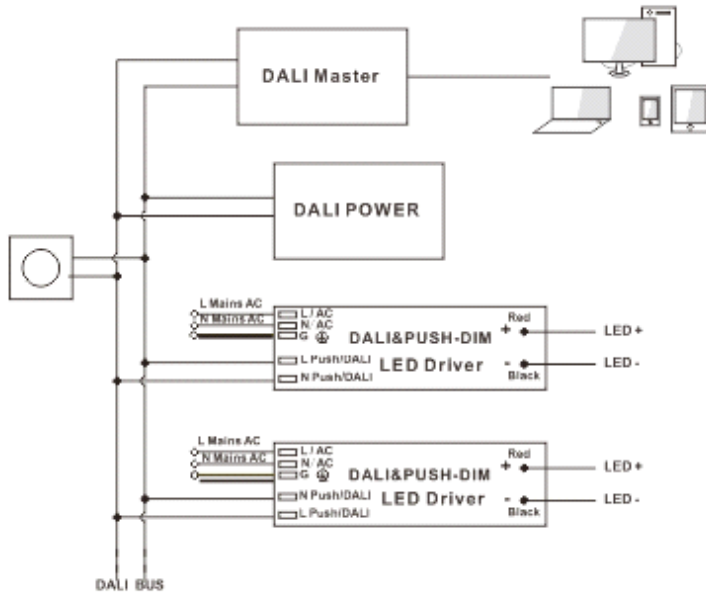


DALI Dimming Wiring Diagram2



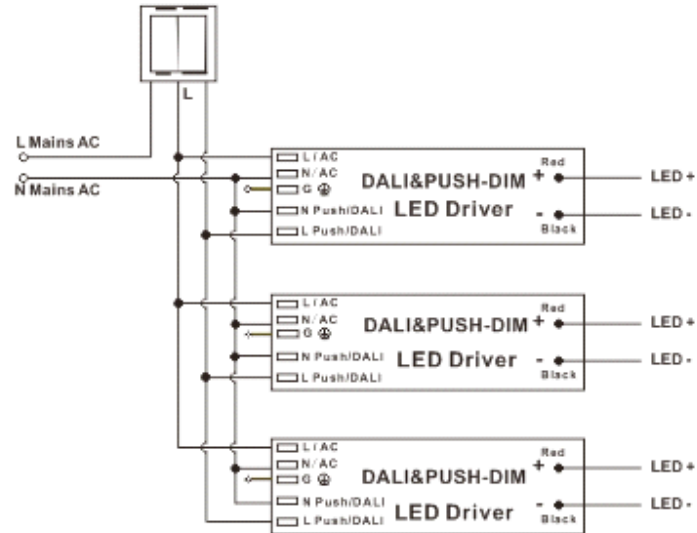
Dimming Operation

DALI Dimming Wiring Diagram 3



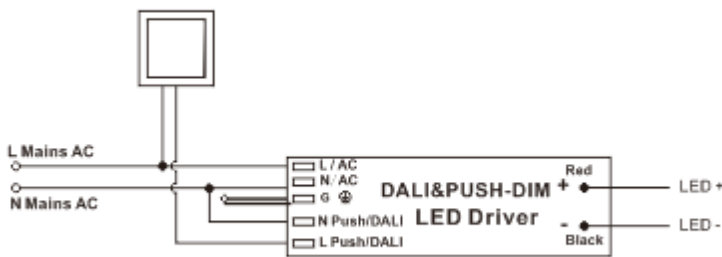
PC+DALI Master+DIMMER

Push-Dimming Wiring Diagram 1



Dimmer (with ON/OFF function)

Push-Dimming Wiring Diagram 2



Dimmer

※Note: For DALI Dimming Wiring Diagram 3, please noted that only one DALI power is need in the DALI bus, so no extra DALI power is needed if the Master or Dimmer already includes the DALI Power.