

## 21W Constant current Dip Switch-FLS Series

FLS-21-500 LD



■ Approve

**SELV** 

### ■ Features

- Class II, SELV, built-in/independent
- Input Voltage 220-240VAC
- Protections: SCP/OLP/OVP
- Power Factor >0.95
- Efficiency ≥85%
- 5 years warranty

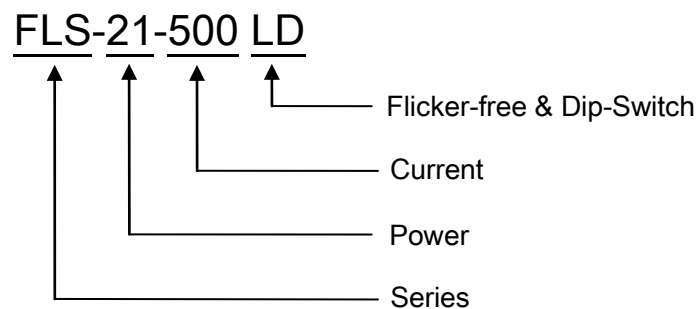
### ■ Applications

- LED strips
- LED panel
- Down light
- Track spot light

### ■ Description

FLS-21-500 LD is a 21W constant current LED driver with 150 to 500mA output current and a forward voltage range from 10 to 42Vdc. The output current is selectable by DIP Switch. With it's compact dimensions from 97 x 43 x30 mm it is easy to integrate in LED Panel and down light products. The side covers are available as accessories and allow to use the LED driver independent.

### ■ Model code



## 21W Constant current Dip Switch-FLS Series

FLS-21-500 LD

### ■ Specification

|              |   |  |
|--------------|---|--|
| Input        | Rated input voltage   | 220-240VAC                                       |
|              | Range of input voltage  | 176-264VAC                                       |
|              | DC voltage range  | 176-280V   |
|              | Frequency(Hz)   | 0/50/60 Hz                                       |
|              | Power Factor  | > 0.95@220-240Vac, full load                     |
|              | Input Current max   | 0.16A MAX. @Full Load,176VAC                     |
|              | Start-up time   | < 0.5S   |
|              | Unload Power Consumption  | ≤0.5W  |
|              | Inrush Current  | 10A Max.   |
|              | THD   | < 15%@Full Load,240VAC                           |
|              | Leakage Current   | < 0.7mA(240VAC)                                  |
| Output       | Constant Current Max. *Note.3   | 150/200/.../500mA                                |
|              | Unload voltage Max.   | 52VDC  |
|              | Voltage Range(VDC)  | 10-42VDC   |
|              | Rated power   | 21W Max.   |
|              | Current Accuracy  | 150mA: ±7%@220-240VAC; 200-500mA: ±5%@220-240VAC |
|              | Voltage Regulation  | ±5% @Full Load , 220-240VAC                      |
|              | Load Regulation   | ±5%@220-240VAV                                   |
|              | Hold-up Time  | 1s max.@Full Load                                |
|              | Ripple& Noise *Note.2   | ≤±3% @Full Load,240VAC                           |
|              | Output LF current ripple(<120Hz)  | ≤±1% @Full Load,240VAC                           |
|              | Efficiency(Typ.)  | ≥85%   |
| Protection   | Over Load Protection  | 103-120%<br>Protection type: Auto Resume         |
|              | Over Voltage Protection   | > 52VDC<br>Protection type: Auto Resume          |
|              | Short circuit Protection  | Protection type: Auto Resume                     |
| Environment  | Operating Temperature   | -20°C...+45°C                                    |
|              | tc  | 80°C   |
|              | Storage Temperature   | -25°C...+60°C                                    |
|              | Life time   | >44,000H@ta=45°C                                 |
|              | Humidity  | 20%-90%RH  |
| Others       | Dimension   | With side caps: 131X43X30(LXWXH)mm               |
|              |   | Without side caps: 97X43X30(LXWXH)mm             |
| Safety & EMC | Safety standards  | EN 61347-1; EN61347-2-13; EN62384                |
|              | Withstand voltage   | Input-Output : 3750V/5mA/1min                    |
|              | Isolation resistance  | Input-Output : ≥4MΩ@500VDC                       |
|              | EMI   | EN55015; EN61000-3-2 Class C; EN61000-3-3        |
|              | EMS   | EN 61547; EN 61000-4-2; EN 61000-4-5 —1000V;     |
| Note         | 1.All parameters NOT specially mentioned are measured at 240VAC input, full load and 25°C of ambient temperature.<br>2.Ripple & Noise are measured at 20MHz of bandwidth by using a 300mm twisted pair-wire terminated with a 0.1uF & 47 uF parallel capacitor.<br>3.Output current can be from 150mA to 500mA. Please see Adjustable Output Current with dip-switch below and contact EAGLERISE for details. |  |

## 21W Constant current Dip Switch-FLS Series

FLS-21-500 LD

### ■Adjustable Output Current with dip-switch

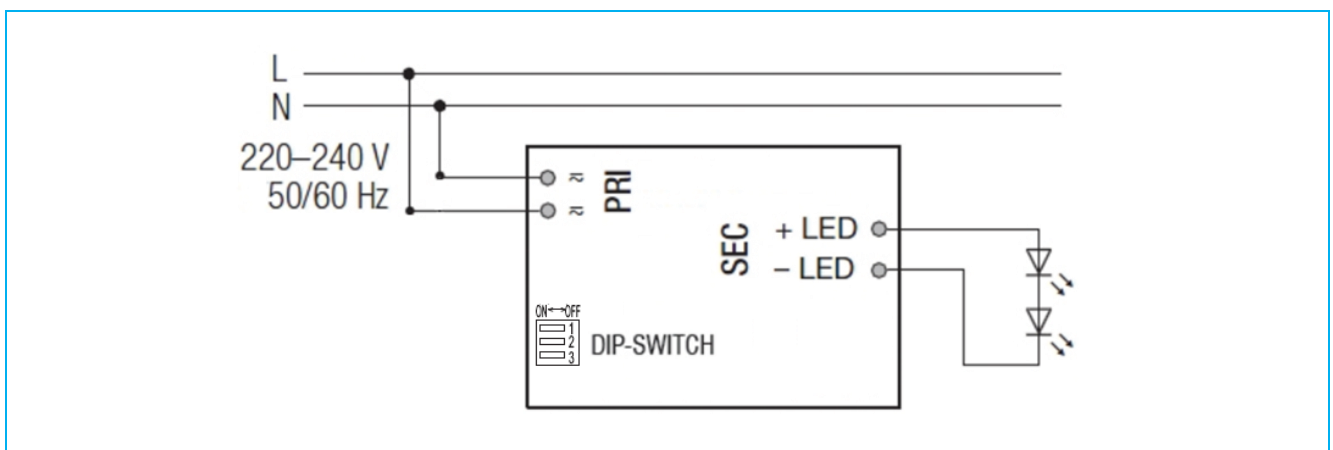
| Vo       | Po    | Io    | 1  | 2  | 3  | 4  |
|----------|-------|-------|----|----|----|----|
| 10-42VDC | 6.3W  | 150mA | -- | -- | -- | -- |
| 10-42VDC | 8.4W  | 200mA | ON | -- | -- | -- |
| 10-42VDC | 10.5W | 250mA | -- | ON | -- | -- |
| 10-42VDC | 12.6W | 300mA | -- | -- | ON | -- |
| 10-42VDC | 14.7W | 350mA | ON | -- | ON | -- |
| 10-42VDC | 16.8W | 400mA | -- | ON | ON | -- |
| 10-42VDC | 18.9W | 450mA | ON | ON | ON | -- |
| 10-42VDC | 21W   | 500mA | ON | ON | ON | ON |

### ■Ordering data

An additional order for caps and screws needed if you require them.



### ■Wiring diagram

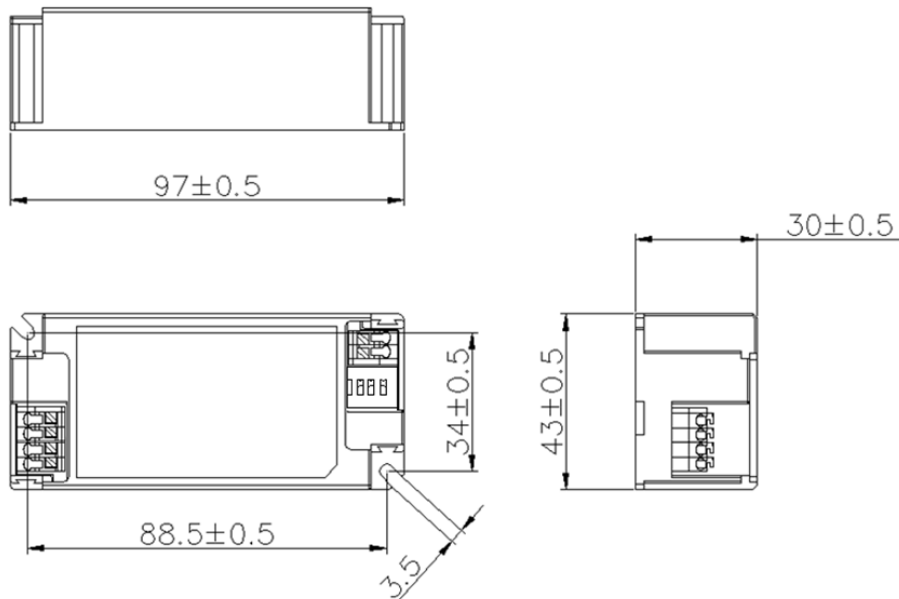


## 21W Constant current Dip Switch-FLS Series

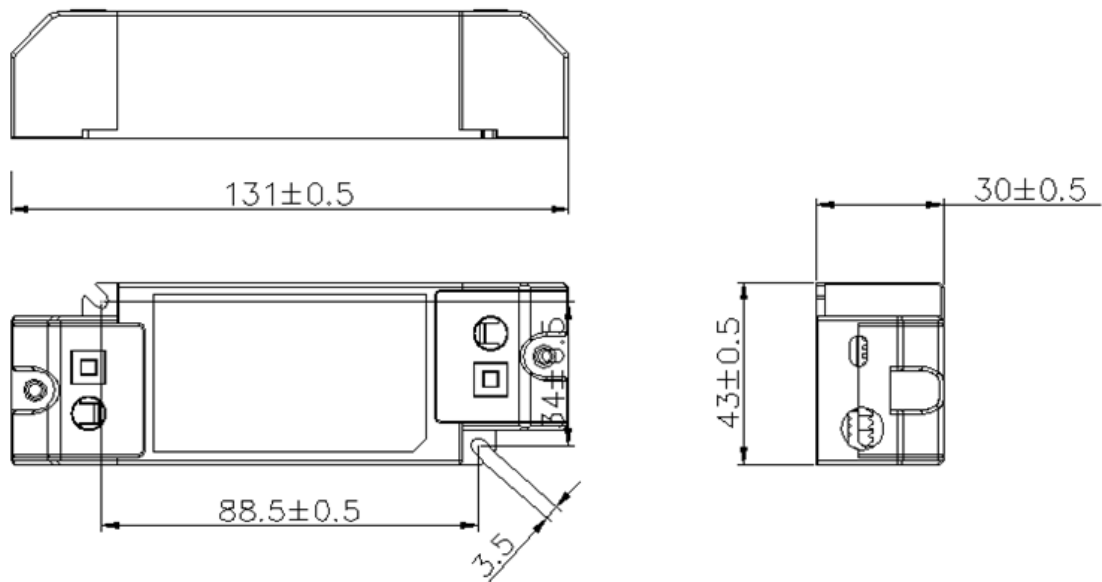
FLS-21-500 LD

### ■2D diagram

Without side caps



With side caps



## 21W Constant current Dip Switch-FLS Series

FLS-21-500 LD

### ■ Operating window

